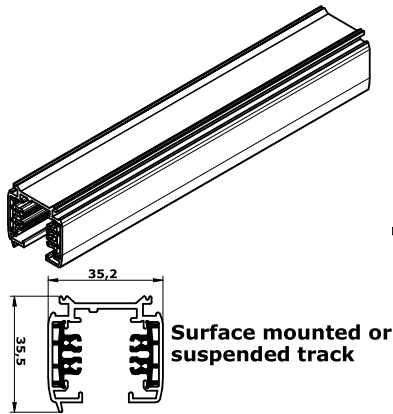


INSTRUCTION INSTALLATION OF 3 CIRCUITS TRACK SYSTEM

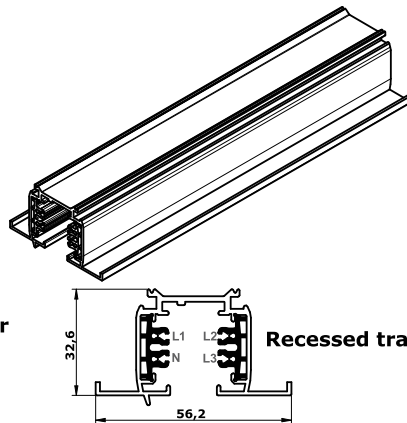
IMPORTANT INFORMATION - read carefully before install the track system
 System rating: 400V/16A 3-phase (11KW) or 1-phase 3 circuit 230V/16A (3x3.7 KW)
FOR INDOOR USE ONLY and in dry and dust free spaces. System is rated IP20
 Do NOT electrically or physically overload system.

Use only products intended for operation in this track or compatible.
 Never force the adaptor into a position or connection. Excessive force is normally an indication of other problems.
 All electrical connections power feeding the track must be carried out as fixed installation
 All dimensios in mm if not stated
 Shall only be installed by authorized installer

NEVER power supply the track at more than one connection point!

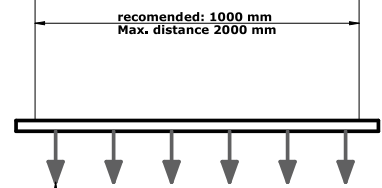


Surface mounted or suspended track



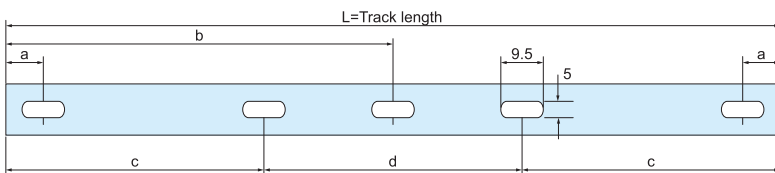
Recessed track

Suspension point
 Maximum load between the suspension points = 10kg



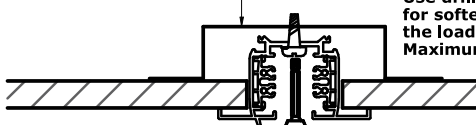
Load
 Max point load 50N

Max 10kg/m



L / mm	a / mm	b / mm	c / mm	d / mm
1000	120			
2000	120	863		
3000	120		909	2086
4000	120		1242	2753

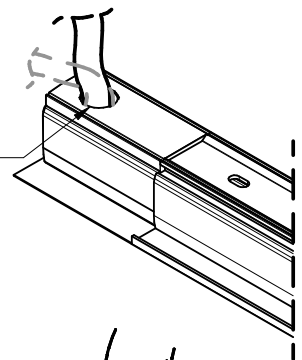
Not supplied by Powergear



Use drilling screws for metal brackets and metal/wooden screws for softer materials. Dimension the size of the screw to support the load. Use screws in all punched slots and tighten them firmly. Maximum screw head Ø 8mm

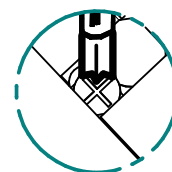
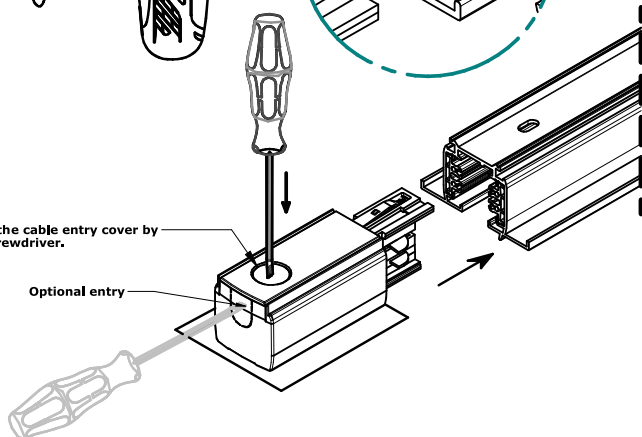
Match the key code in the feeder to the track.

Route the cable through the cable entry. Remember: This installation must comply with the requirements for fixed installation.

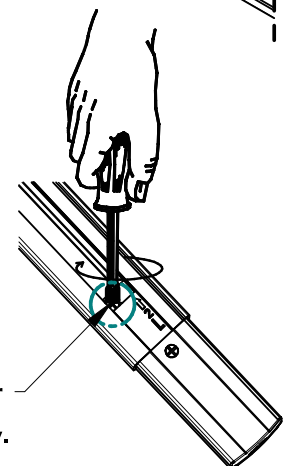


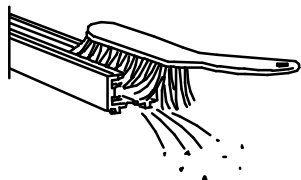
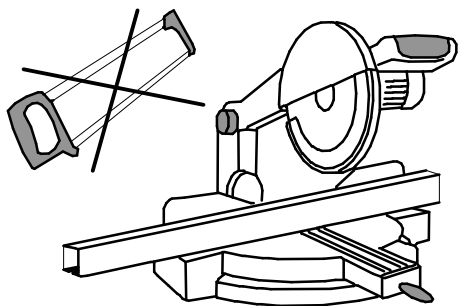
Know out the cable entry cover by using a screwdriver.

Optional entry



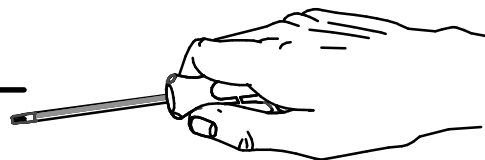
After join the connector to the track, tighten the ground screw firmly.



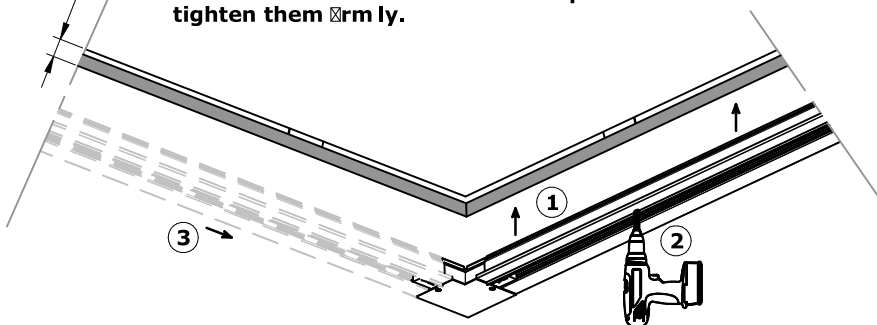


Cut track to correct length and clean the cutted edge accurate.

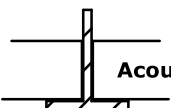
Slot opening 37-38mm



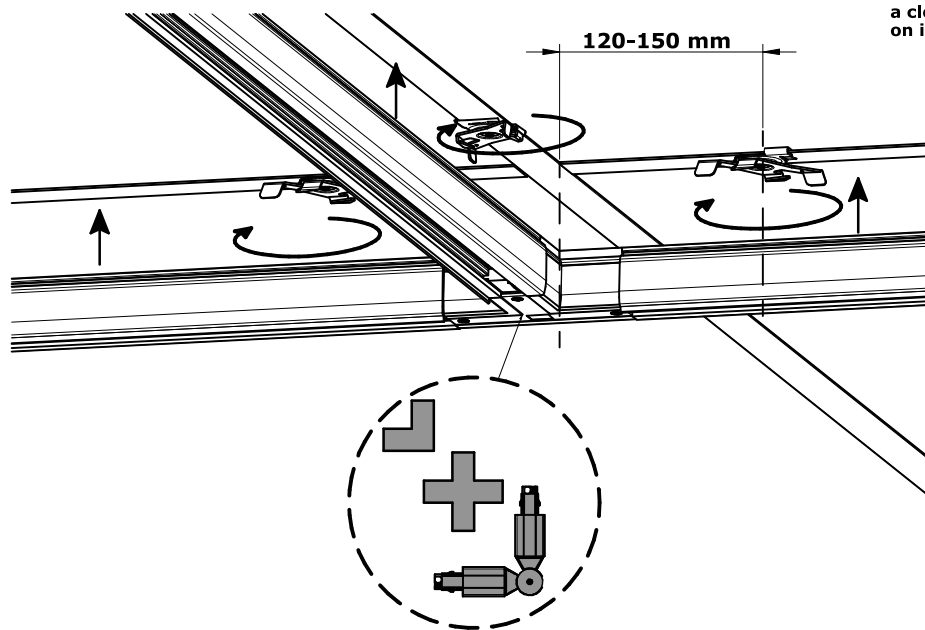
Assembly track and connector before intall into the ceiling slot. Use screws in all slots in the profile and be sure to tighten them firmly.



Acoustic ceiling / Visible T-bar

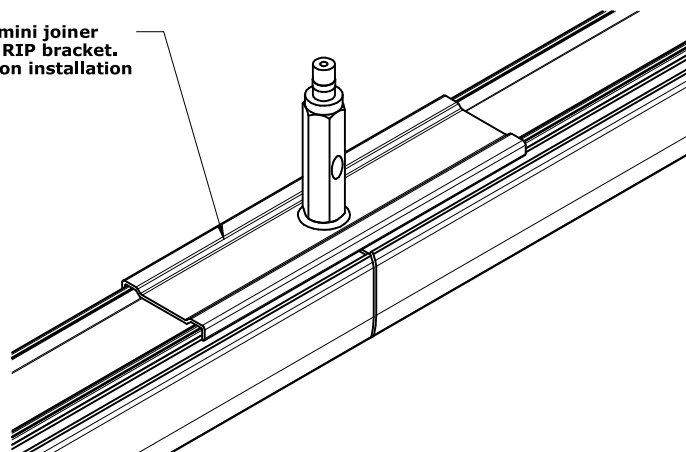


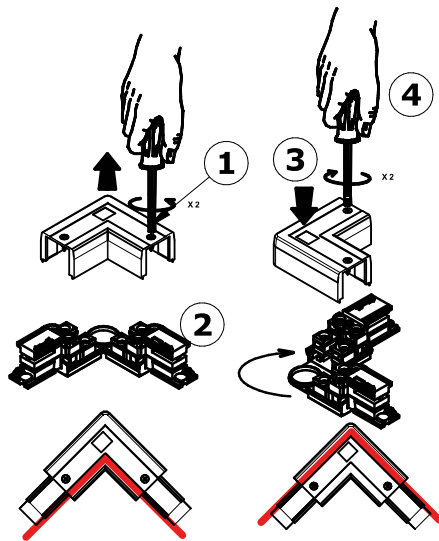
Support the track where a connector is being used closed to the connection point. Aim for a close distance to the end of track as described on image.



Suspended systems

When using a mini joiner always use an RIP bracket. Type depends on installation needs.

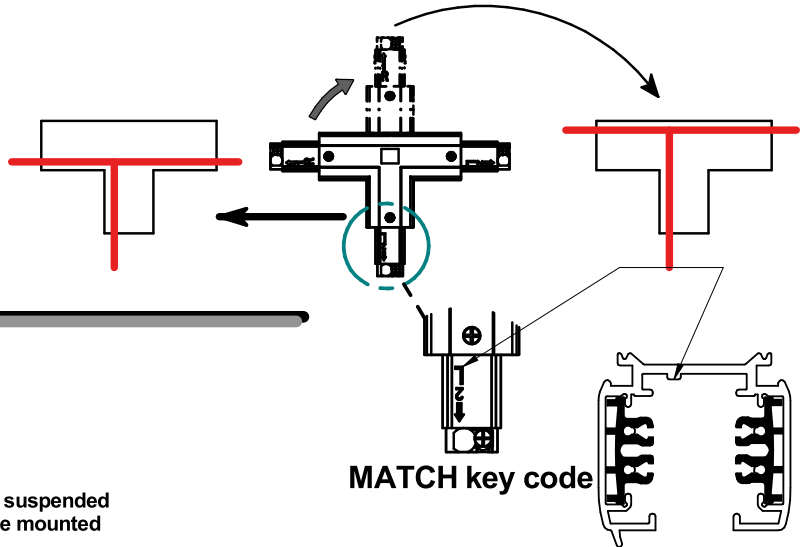




Reversible L and T connector is possible to turn around to match profile direction.
To do so:

1. Unscrew the screws holding the cover and remove the cover.
2. Turn the L connector 180° or the T connector 90°.
3. Put back the cover and tighten the screws.

Be sure to match the profile direction on all connection points.

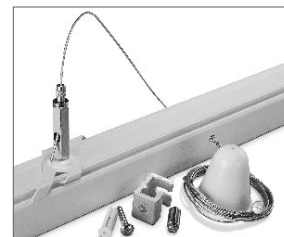


* = Feedable connectors.

Remember, only feed at one point on a system!

Never leave a open end, always use an end cap to cover it - part marked x1

Accessories marked RIP are intended to be used on suspended tracks to re-inforce the joints. Not needed for surface mounted systems.



Ceiling mount, EZCLIK

