

MONA 3

WOJP04019

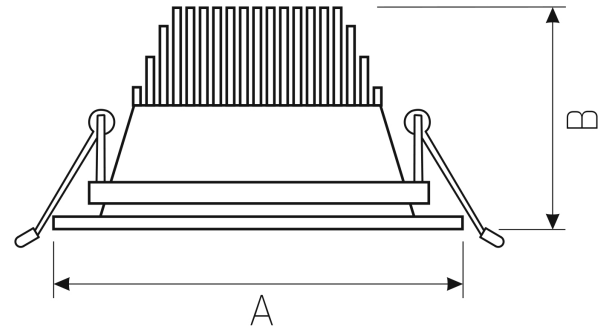
LED luminaire MONA 3, with a power of 27 W, high light efficacy 130 lm/W. It is made of high-quality components, supported by a 5-year warranty. It shines with a warm light (3000K), which promotes relaxation and rest, making the illuminated room cosier. Narrow beam angle 60° gives directional light so that selected objects or surfaces can be better exposed. Designed for recessed mounting.



Power	27 W	Voltage	230 V
Colour temperature	3000 K	Colour of light	WW
Beam angle	60 °	Degree of protection (IP)	IP20


Technical data

Code	WQJP04019
Power	27 W
Nominal current	129.1 mA
Voltage	230 V
Energy consumption	27 kWh/1000h
Frequency	50HZ Hz
Protection class	II
Power supply included	+
Manufacturer of power supply	OSRAM
Power factor	0.93
Useful luminous flux*	3510 lm (360°)
Luminous flux**	2970 lm (360°)
Lamp efficacy	130 lm/W
Colour temperature	3000 K
Colour of light	WW
Beam angle	60 °
RA	80
Light source included	+
Producer of LED diodes	CREE
Uniformity of color SDCM max	3
Dimmable	DALI
Working temperature range	-20/+40 °
Lifespan	50000 h
Housing material	Aluminum
Degree of protection (IP)	IP20
Colour	White
Dimension (AxBxC)	180x130 mm
Mounting hole	Ø145 mm
For use	Inside
Assembly method	Recessed
Application	Inside
Made in	PL




Related documents



 Declaration of Conformity



 Photometric file



 3D model