

MONA 3

WOJP04015

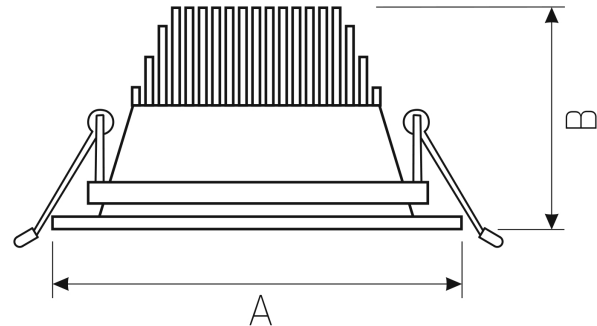
LED luminaire MONA 3, with a power of 35 W, high light efficacy 110 lm/W. It is made of high-quality components, supported by a 5-year warranty. It also stands out for its very high colour rendering index RA>90. It shines with a warm light (3000K), which promotes relaxation and rest, making the illuminated room cosier. Narrow beam angle 24° gives directional light so that selected objects or surfaces can be better exposed. Designed for recessed mounting.



Power	35 W	Voltage	230 V
Colour temperature	3000 K	Colour of light	WW
Beam angle	24 °	Degree of protection (IP)	IP20

Technical data

Code	WQJP04015
Power	35 W
Nominal current	167.4 mA
Voltage	230 V
Energy consumption	35 kWh/1000h
Frequency	50HZ Hz
Protection class	II
Power supply included	+
Manufacturer of power supply	OSRAM
Power factor	0.93
Useful luminous flux*	3850 lm (360°)
Luminous flux**	3500 lm (360°)
Lamp efficacy	110 lm/W
Colour temperature	3000 K
Colour of light	WW
Beam angle	24 °
RA	90
Light source included	+
Producer of LED diodes	CREE
Uniformity of color SDCM max	3
Dimmable	DALI
Working temperature range	-20/+40 °
Lifespan	50000 h
Housing material	Aluminum
Degree of protection (IP)	IP20
Colour	White
Dimension (AxBxC)	180x130 mm
Mounting hole	Ø145 mm
For use	Inside
Assembly method	Recessed
Application	Inside
Made in	PL



Related documents



 Photometric file



 3D model