

MADARA LIBRA GU10

SLIP003057

LED luminaire MADARA LIBRA GU10 for replaceable light source. Designed for surface mounting.



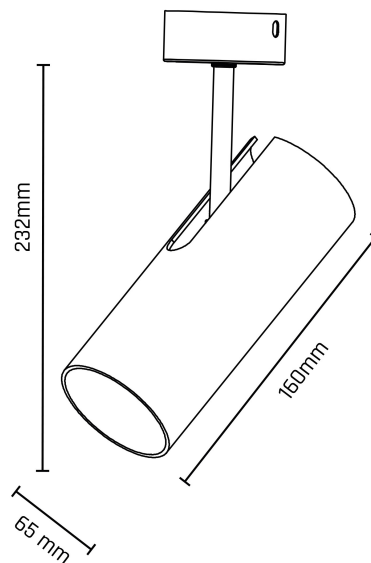
Voltage **250 V**

Socket **GU10**

Degree of protection (IP) **IP20**

Technical data

Code	SLIP003057
Voltage	250 V
Protection class	I
Light source included	No
Working temperature range	-20/+40 °
Lifespan	17000 h
Housing material	Aluminum
Socket	GU10
Degree of protection (IP)	IP20
Colour	White
Dimension (AxBxC)	65x160x232 mm
For use	Inside
Assembly method	On the ceiling
Application	Inside
Made in	PRC
Other	MAX 10W LED; NO INTENDED FOR HALOGEN ,



Related documents



 Declaration of Conformity

