

MODERN DAY MINI GU10 x2

SLIP002012

Recessed lighting luminaire MODERN DAY MINI GU10 x2 for replaceable light source. Designed for recessed mounting.



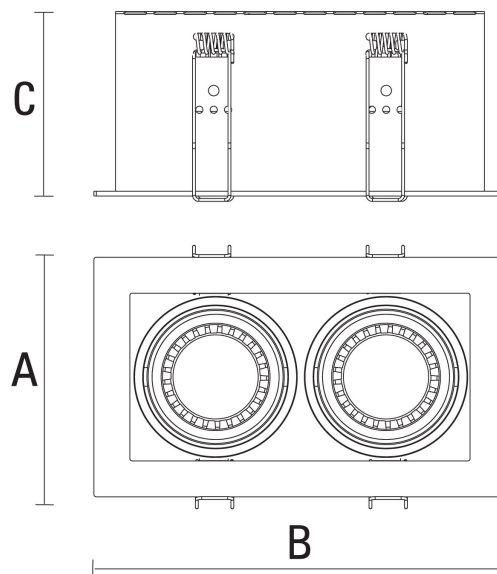
Voltage **250 V**

Socket **GU10**

Degree of protection (IP) **IP20**


Technical data

| | |
|---------------------------|--|
| Code | SLIP002012 |
| Voltage | 250 V |
| Protection class | I |
| Light source included | No |
| Working temperature range | -20/+40 ° |
| Lifespan | 17000 h |
| Housing material | Aluminum |
| Socket | GU10 |
| Degree of protection (IP) | IP20 |
| Colour | White |
| Dimension (AxBxC) | 112x197x115 mm |
| Mounting hole | 180x93 mm |
| For use | Inside |
| Assembly method | Recessed |
| Application | INT |
| Made in | PRC |
| Other | MAX 2x10W LED; NO INTENDED FOR HALOGEN , |




Related documents



 Declaration of Conformity



 Photometric file



 3D model

