

PLATEO 3 DALI

SLI044016NW_PW_DALI

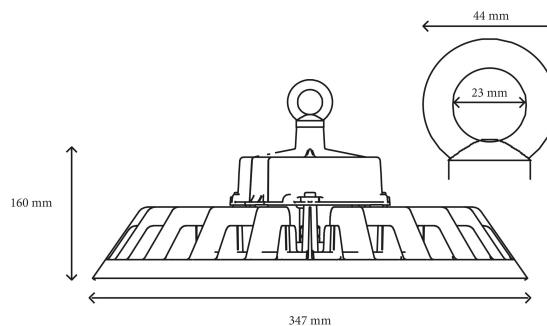
High bay luminaire PLATEO 3 DALI, with a power of 200 W, high light efficacy 180 lm/W. It is made of high-quality components, supported by a 5-year warranty. It has a very high degree of protection IP65, providing protection against the ingress of dust and water jets. IK08 class provides impact resistance. It shines with light of neutral - the most universal colour (4000K). Narrow beam angle 90° gives directional light so that selected surfaces can be better exposed. Designed for suspended mounting.



Power	200 W	Voltage	230 V
Luminous flux*	36000 lm (360°)	Colour temperature	4000 K
Colour of light	Neutral white	Beam angle	90 °
IK	08	Degree of protection (IP)	IP65


Technical data

Code	SLI044016NW_PW_DALI
Power	200 W
Nominal current	910 mA
Voltage	230 V
Energy consumption	200 kWh/1000h
Frequency	50HZ Hz
Protection class	I
Power supply included	Yes
Power factor	0.9
Useful luminous flux*	36000 lm (360°)
Luminous flux**	34000 lm (360°)
Lamp efficacy	180 lm/W
Luminous intensity	16000 cd
Colour temperature	4000 K
Colour of light	Neutral white
Beam angle	90 °
RA	>80
Light source included	Yes
Uniformity of color SDCM max	5
Dimmable	DALI
Working temperature range	-20 +40 °
Lifespan	50000 h
Housing material	Aluminum
IK	08
Degree of protection (IP)	IP65
Colour	Black
Dimension (AxBxC)	347x160 mm
For use	Inside/Outside
Assembly method	Suspended
Made in	PRC




Related documents



 User manual



 Declaration of Conformity



 Photometric file

